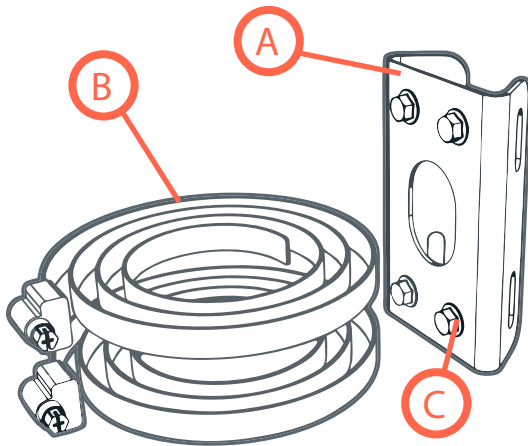


# Evolution Stainless Steel Pendant Arm - Pole Mount QUICKSTART GUIDE



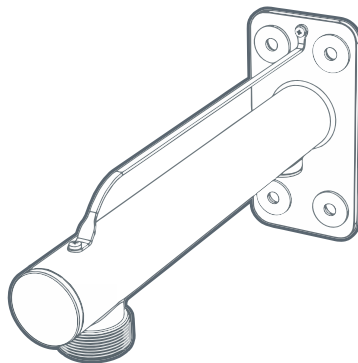
## STAINLESS STEEL PENDANT ARM - POLE MOUNT



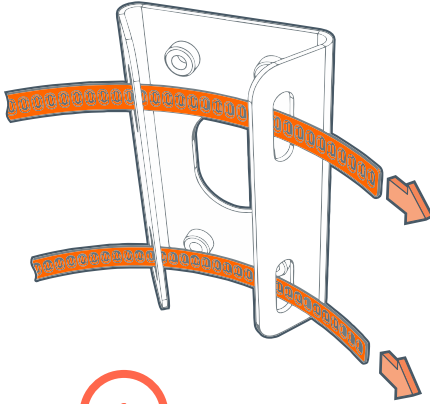
### BOX CONTENTS

- A Pole Mount Bracket
- B Mounting Strap
- C Mounting Bolts

PENDANT ARM (OBE-20-SPA) REQUIRED FOR THIS INSTALLATION



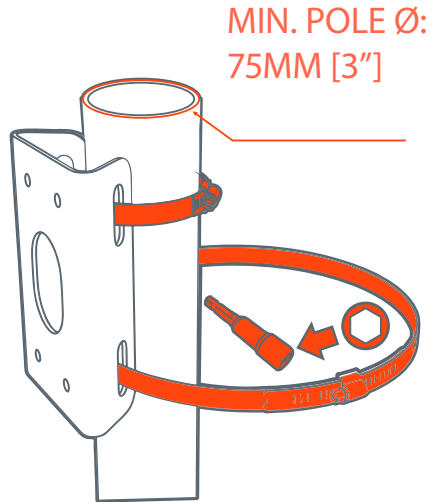
# POLE MOUNT INSTALLATION



1

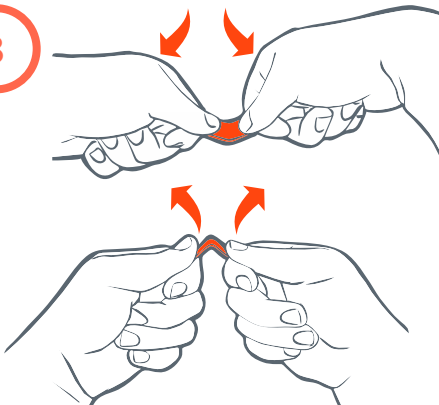
THE STRAPS PROVIDED ARE 500mm [19 3/4"] LONG AND SHOULD COMFORTABLY SUIT A POLE Ø450mm [Ø 5"] MAX - LONGER STRAPS ARE WIDELY AVAILABLE. TWO OR MORE CAN BE CONNECTED TOGETHER FOR LARGER POLES.

2



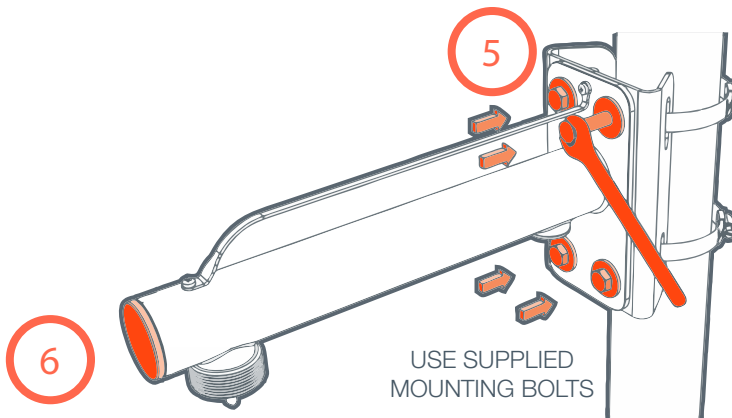
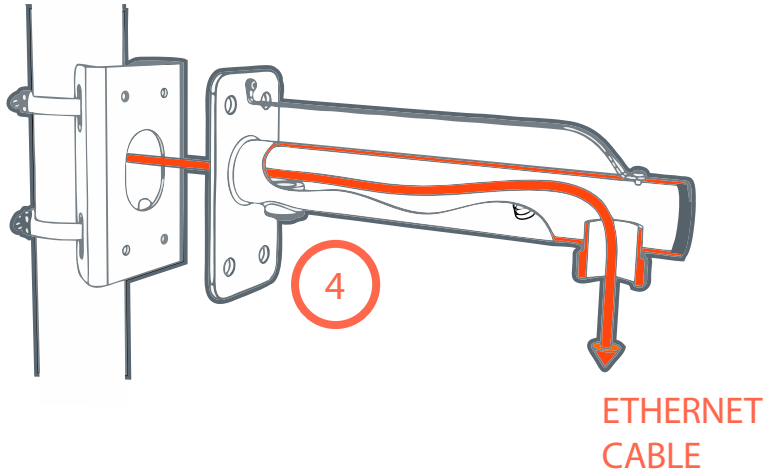
MIN. POLE Ø:  
75MM [3"]

3



FLEX OR CUT  
MOUNTING STRAP TO  
LENGTH REQUIRED -  
TAKE CARE, SHARP!

## ATTACH PENDANT ARM



## SCREW ON PENDANT ARM CAP