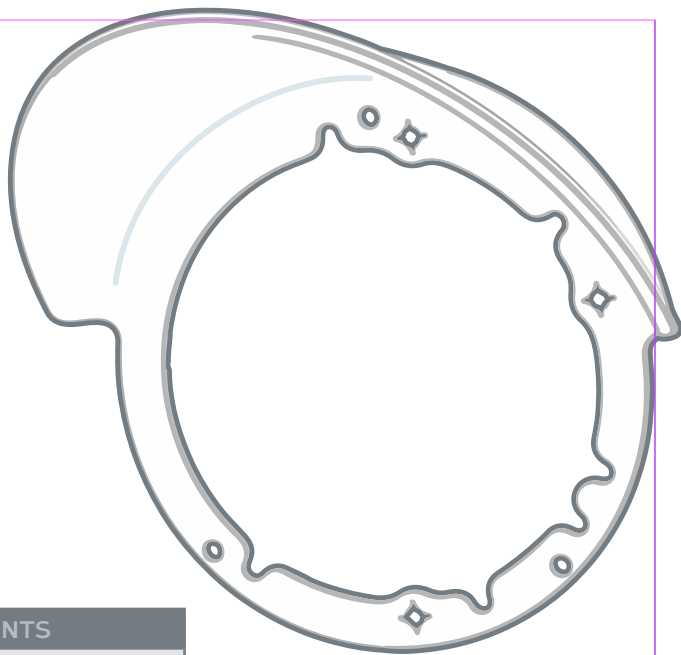


QUICK START GUIDE

ONCAM - C-SERIES OUTDOOR PANORAMIC+
RAIN GUARD ACCESSORY
PENDANT AND SURFACE MOUNT INSTALLATION





BOX CONTENTS

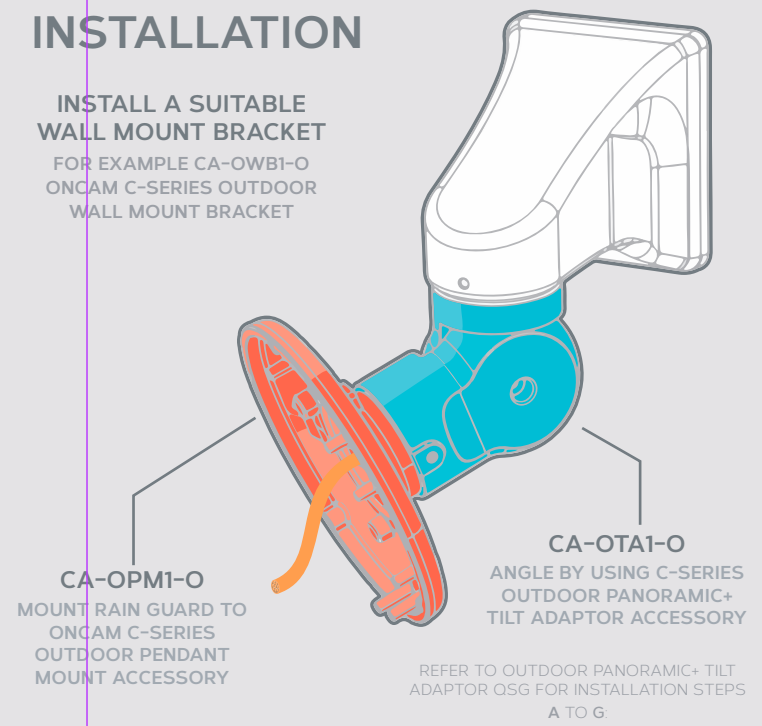
Nº	DESCRIPTION
1	RAIN GUARD

SURFACE MOUNT INSTALLATION. GO TO page 8 

C-SERIES OUTDOOR CAMERA AND RELEVANT INSTALLATION ACCESSORIES REQUIRED TO COMPLETE INSTALLATION

PENDANT MOUNT INSTALLATION

INSTALL A SUITABLE WALL MOUNT BRACKET
FOR EXAMPLE CA-OWB1-O
ONCAM C-SERIES OUTDOOR
WALL MOUNT BRACKET



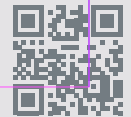
CA-OPM1-O
MOUNT RAIN GUARD TO
ONCAM C-SERIES
OUTDOOR PENDANT
MOUNT ACCESSORY

CA-OTA1-O
ANGLE BY USING C-SERIES
OUTDOOR PANORAMIC+
TILT ADAPTOR ACCESSORY

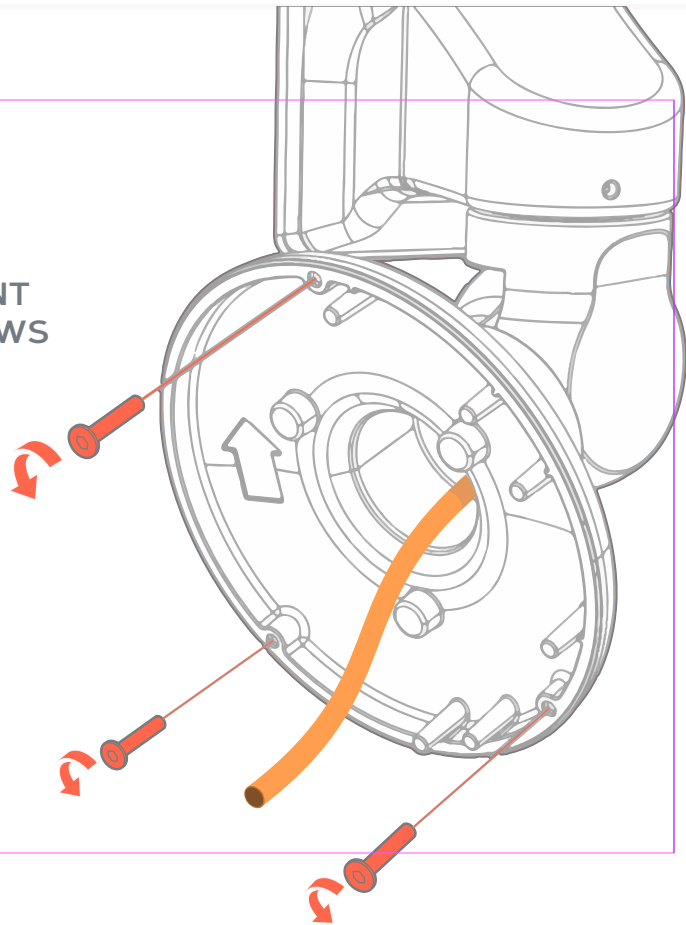
REFER TO OUTDOOR PANORAMIC+ TILT
ADAPTOR QSG FOR INSTALLATION STEPS
A TO G

A

<https://bit.ly/3ruOTBp>

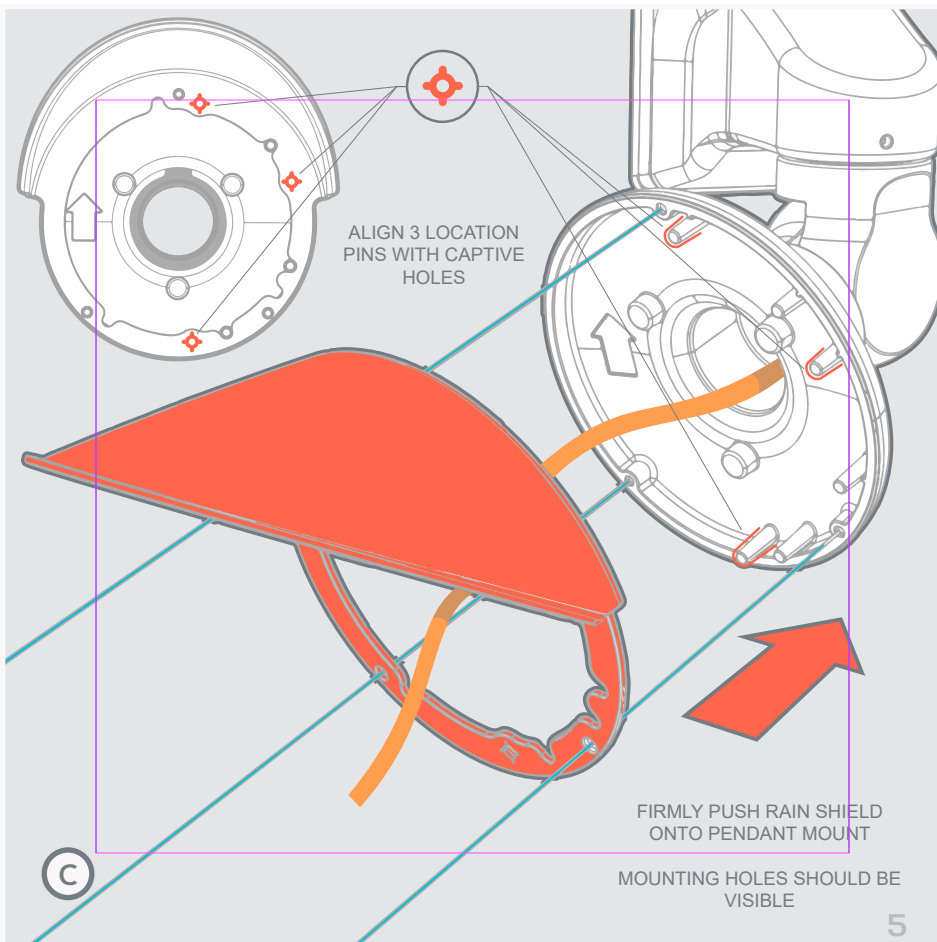


3x
MOUNT
SCREWS



(B)

4



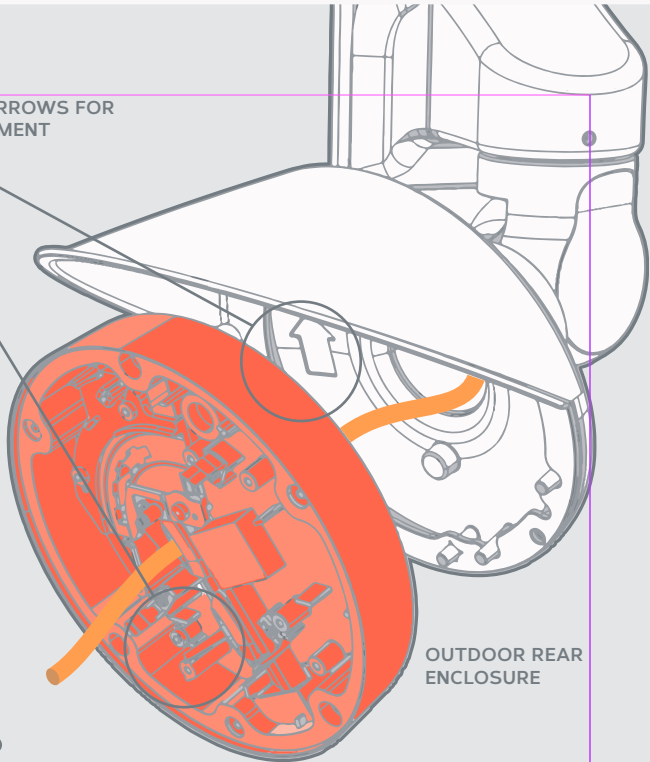
(C)

5



USE ARROWS FOR ALIGNMENT

3x
MOUNT
SCREWS



OUTDOOR REAR
ENCLOSURE

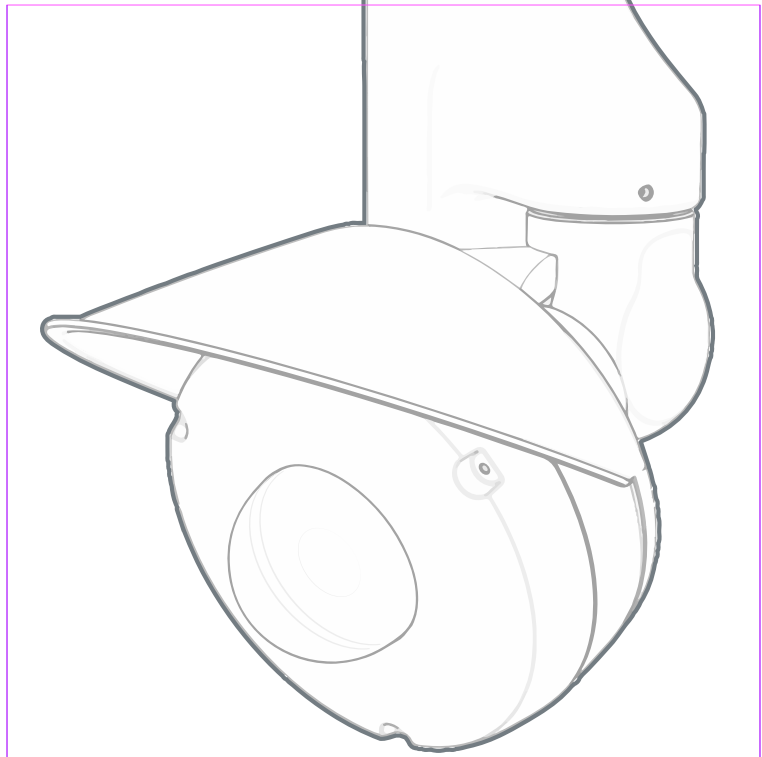
CONTINUE INSTALLATION WITH
REFERENCE TO THE OUTDOOR
PANORAMIC+ TILT ADAPTOR QSG
FROM STEP H



<https://bit.ly/3ruOTBp>

D
6

E

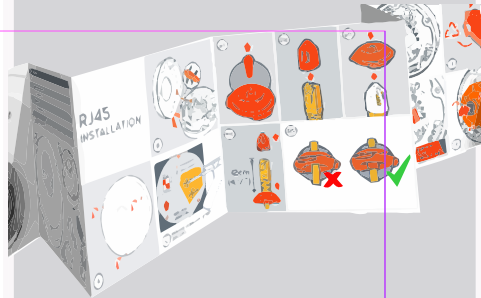


SURFACE MOUNT INSTALLATION, GO TO page 8



7

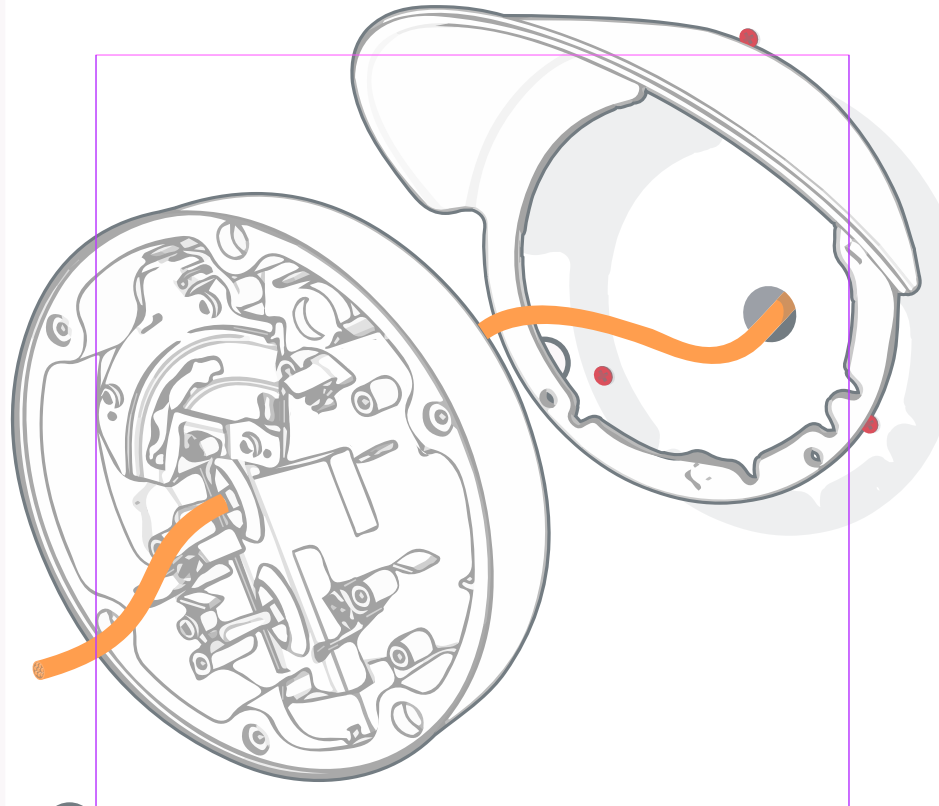
SURFACE MOUNT INSTALLATION



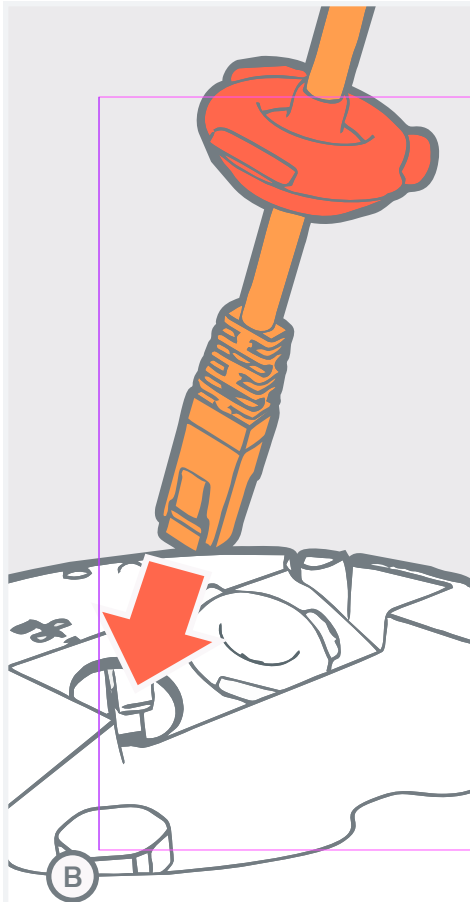
FOLLOW STEPS A-D5 FROM THE
ONCAM C-SERIES OUTDOOR
CAMERA QSG



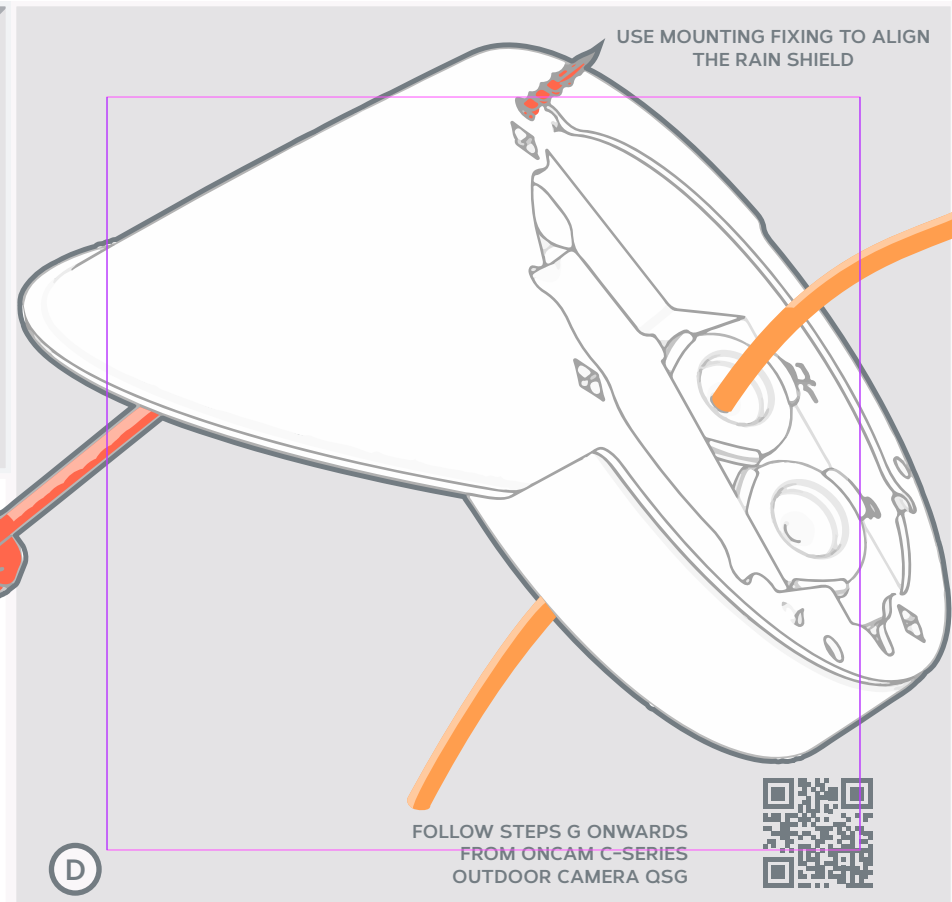
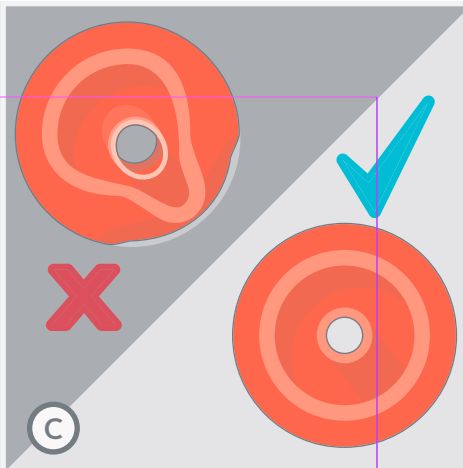
<https://bit.ly/3r6J5hh>



A



10



11

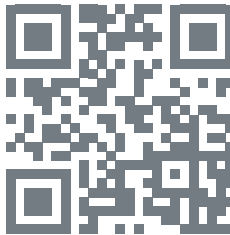
FOLLOW STEPS G ONWARDS
FROM ONCAM C-SERIES
OUTDOOR CAMERA QSG

<https://bit.ly/3r6J5hh>



FOR MORE INFORMATION AND FIRST TIME SET UP GO TO:

<https://bit.ly/36RrbwQ>



© COPYRIGHT 2021 ONVU TECHNOLOGIES AG. ALL RIGHTS RESERVED.
ONCAM IS A TRADING NAME OF ONVU TECHNOLOGIES AG.
SUBJECT TO CHANGE WITHOUT NOTICE.

REVISION 1.0

006-0114-0565