

# Evolution Stainless Steel Pendant Arm - Wall Mount QUICK START GUIDE



## Important



Read these instructions carefully before installing or operating this camera.

This accessory should be installed by a qualified service person and the installation should conform to local and national regulations.

Overloading the Pendant Arm will result in structural failure of the product and risk to property and life.

Fixing used should be of appropriate strength and suitable for use around stainless steel.

Chloride from cleaning products will cause the stainless steel to lose chrome content and therefore corrode. Chlorine from poorly maintained swimming pools can also become chloride.

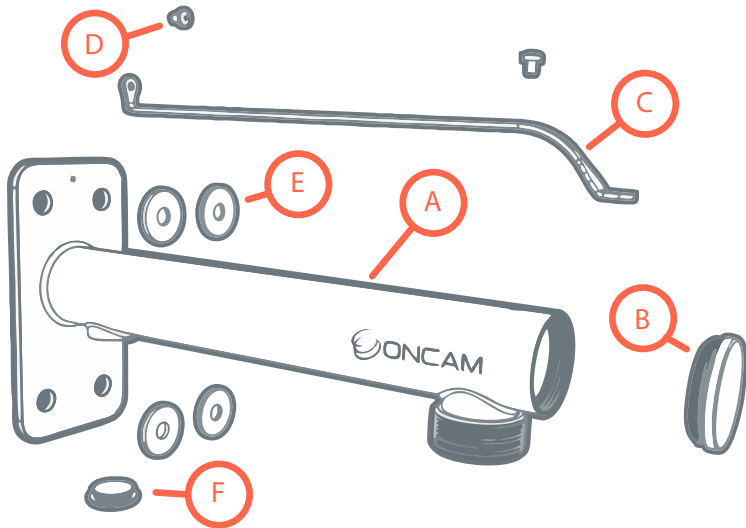
Placing this Pendant Arm on or near ferrous material will cause the product to become stained and to collect corrosion over time.

For best results the stainless steel should be cleaned regularly with a lint free cloth and sunflower oil or equivalent.

Failure to use the Anti-Bird Roost Bar may lead to birds roosting on the arm which may lead to faeces damaging or affecting the structural integrity of the arm and camera.

<b>SKU</b>	OBE-20-SPA
<b>Material</b>	Electropolished marine grade 316L stainless steel
<b>Weight</b>	2.2 kg (4.9 lbs)
<b>Thread</b>	Compatible with female 1 1/2" NPT
<b>Reach</b>	305mm
<b>Conduit</b>	Concentric M20 and 3/4"

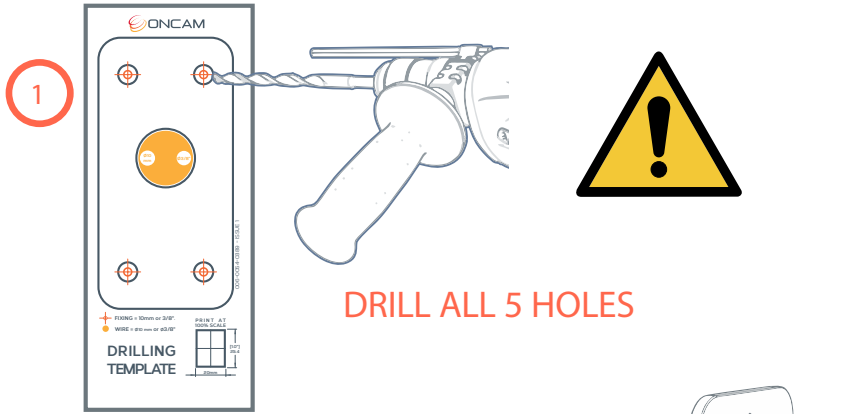
## STAINLESS STEEL PENDANT ARM



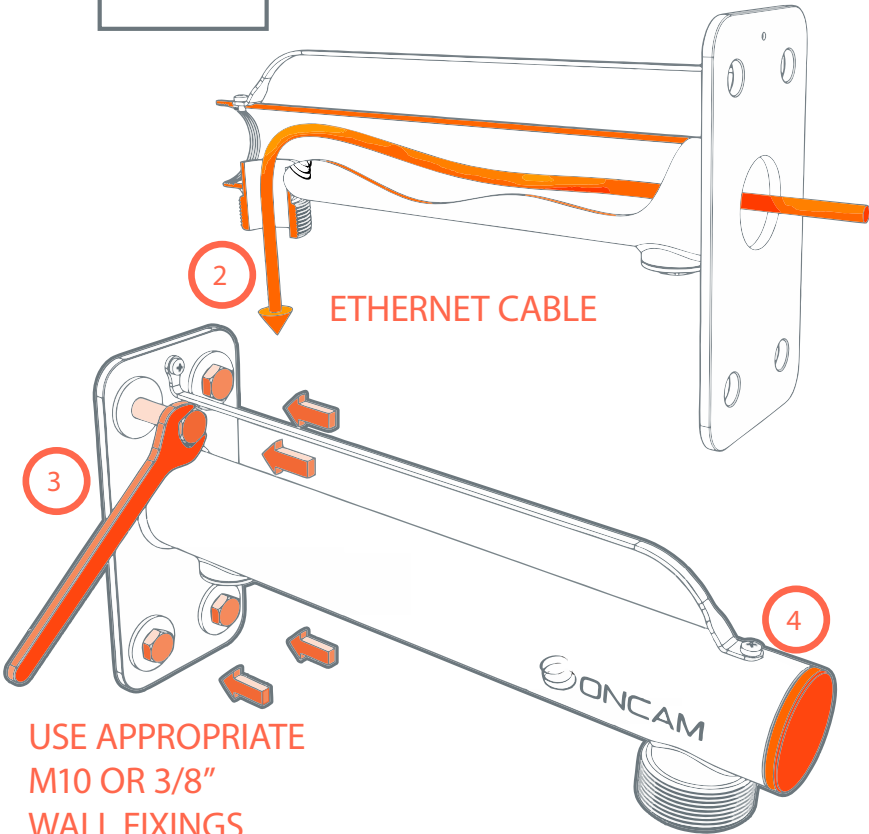
### BOX CONTENTS

<b>A</b>	Pendant Arm	<b>D</b>	Anti Bird Roost Bar Screws
<b>B</b>	Pendant Arm Cap	<b>E</b>	Penny Washers
<b>C</b>	Anti Bird Roost Bar	<b>F</b>	Conduit Cap

# WALL MOUNT INSTALLATION



DRILL ALL 5 HOLES

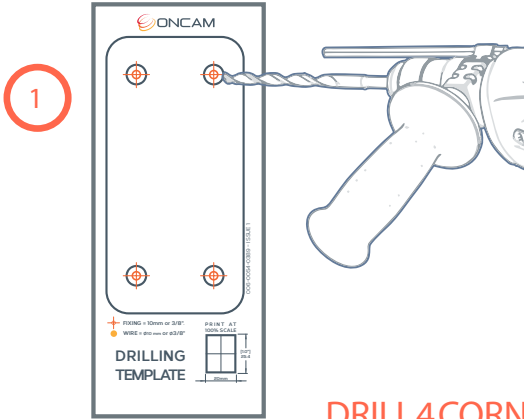


ETHERNET CABLE

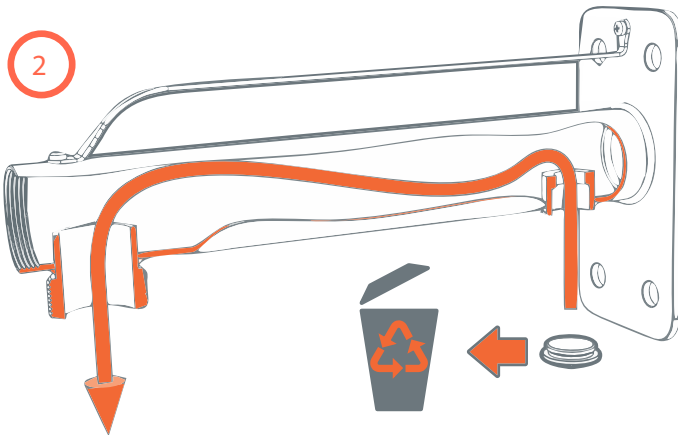
USE APPROPRIATE  
M10 OR 3/8"  
WALL FIXINGS  
\* (NOT SUPPLIED)

SCREW ON PENDANT ARM CAP

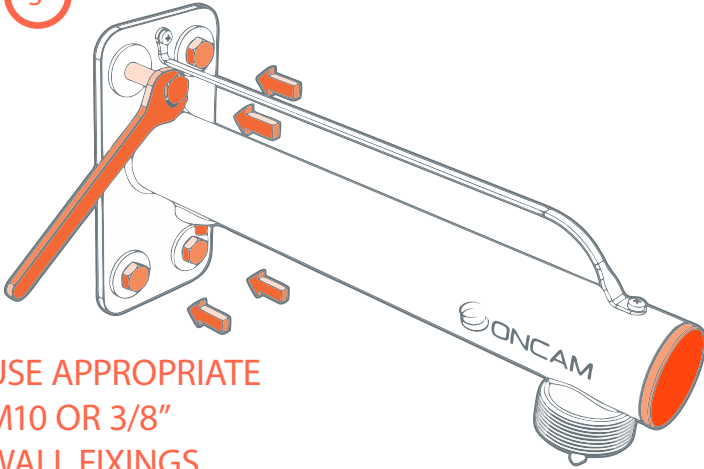
# WALL MOUNT WITH CONDUIT INSTALLATION



DRILL 4 CORNER HOLES ONLY



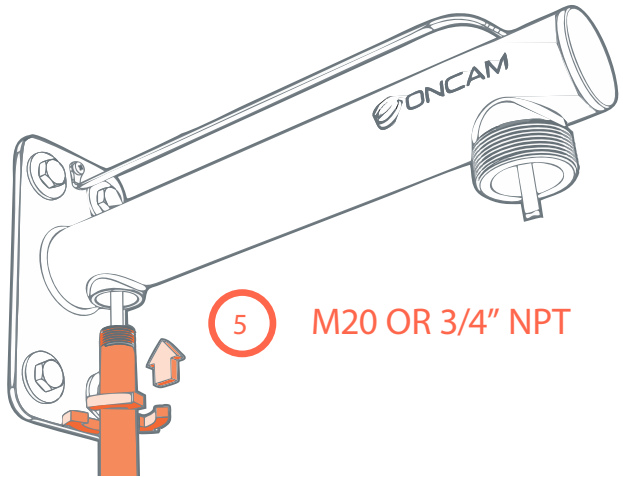
3



USE APPROPRIATE  
M10 OR 3/8"  
WALL FIXINGS  
\* (NOT SUPPLIED)

4

SCREW ON PENDANT ARM CAP

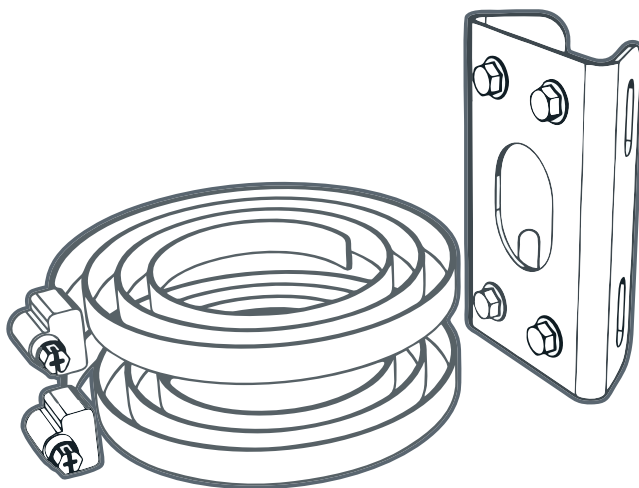


5

M20 OR 3/4" NPT

## OPTIONAL ACCESSORY POLE MOUNT

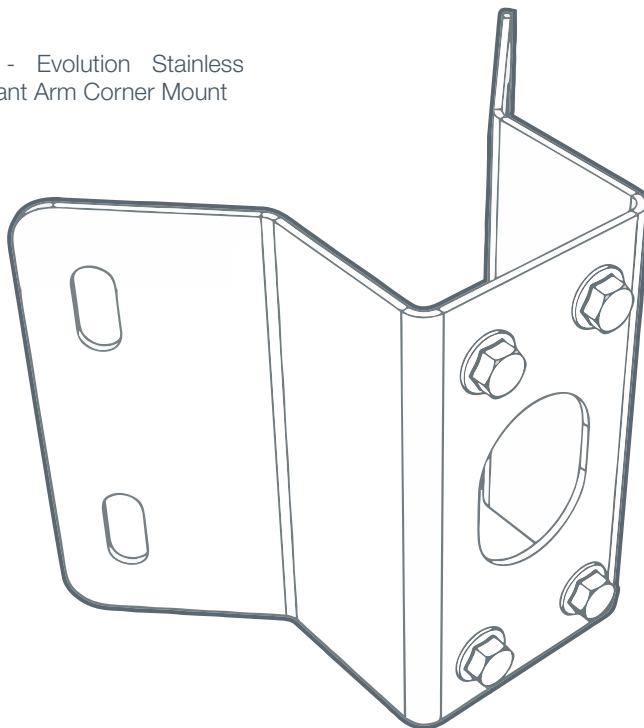
OBE-20-SPP - Evolution Stainless  
Steel Pendant Arm Pole Mount



<b>SKU</b>	OBE-20-SPP
<b>Material</b>	Electropolished marine grade 316 stainless steel
<b>Weight</b>	0.89 kg (1.96 lbs)

## OPTIONAL ACCESSORIES - CORNER MOUNT

OBE-20-SPC - Evolution Stainless  
Steel Pendant Arm Corner Mount



<b>SKU</b>	OBE-20-SPC
<b>Material</b>	Electropolished marine grade 316 stainless steel
<b>Weight</b>	1.65 kg (3.65lbs)