

Evolution 12

360° Stainless Steel Cameras

The next step in 360° total situational awareness

12MP sensor and no moving parts

12MP high-resolution sensor

- Up to 30 fps at 2.0 MP
- 0.1 lux minimum illumination
- Constant 360° surveillance with no blind spots
- No moving parts, no maintenance and silent operation
- PoE or 12 VDC powered
- 3-years warranty

Advanced features

- Local SD card slot for event recording
- Configurable privacy regions
- Polygonal video motion detection regions
- Local alarm digital input and output
- Audio microphone input

Uniquely suited for demanding environments

- Electropolished marine grade 316 stainless steel
- Withstands high pressure washes and corrosion
- IP66, IP67, IP68, IP69K and NEMA Type 4X & 6P rated for dust and water protection
- IK10+ rated for vandalism protection
- Certified by NSF to NSF/ANSI Standard 169
- HCV EU marked for HACCP environments
- Surface and pendant mounting options available with matching stainless steel accessories

Applications

- Food and processing areas
- Industrial and chemical plants
- Vehicle wash stations
- Ports and marine applications
- High end architecture



Model

EVO-12-SS2

Extensive VMS/NVR platform integration with Oncam SDK

- Market leading Oncam 3D dewarping software
- Full live and retrospective dewarping available
- Camera features are accessible through VMS platforms
- Simultaneous multiple video streams
- 10x digital zoom capability through client-side dewarping
- H.264 / MJPEG streaming with multiple quality levels
- Optimizes bandwidth and storage utilization
- Intuitive web-based interface for viewing and configuration
- Supported by major VMS / NVR systems
- ONVIF profile G and S conformant

Evolution 12

360° Stainless Steel Cameras



The next step in 360° total situational awareness

General	
Model	EVO-12-SS2
Lens Field of View	180° Horizontal, 180° Vertical
Image Sensor	12.4 MP, 4072 H x 3046 V pixels and 1/2.3-inch Sony CMOS Sensor
Lens	185° / F2.0
Minimum Illumination	0.1 lux = 50 IRE F/2.0
Frame Rate	30 fps for 2MP and ¼ MP resolution 14 fps for 6, and 4 MP resolution 12 fps for 9.6MP resolution
Video Motion Detection	8 configurable polygonal regions
External Input	1x contact input
External Output	1x contact output
Security	Configurable password protection, 802.1x
Advanced Event Management	Triggered by motion, external input or HTTP event, result configurable, external output, FTP/SMTP upload and local recording
Networking	TCP/IP, HTTP, DHCP, DNS, NTP, FTP, SMTP, SNMP and RSTP
Privacy	10 configurable privacy regions
SD Card	Built-in SD card slot. Supports cards up to 128 GB capacity. Speed class 10 or higher required and ONVIF G.
Audio Connections	Audio In through 3.5 mm jack, RTSP using G.711 codec or ONVIF S
Audio Input Level	Mic input level range is approximately 5 mV to 50 mV
Analog Video Out	Test port for production, not available in normal operation
White Balance Range	Auto White Balance (Range = approximately 2500 K ~ 8000 K)

Video	
Model	EVO-12-SS2
Video Stream 1 Codec	H.264 in 9.6 MP, 6 MP, 4 MP, 2 MP
Video Stream 1 Compression Level	Multi-levels of compression and frame rate adjustment
Video Stream 1 Pixel Resolution	Fisheyes at: 9.6 MP (3200 x 3000), 6 MP (2528 x 2376), 4 MP (2080 x 1960), 2 MP (1472 x 1384)
Video Stream 2 Codec	H.264 in ¼ MP
Video Stream 2 Compression Level	Multi-levels of compression and frame rate adjustment
Video Stream 2 Pixel Resolution	Fisheyes at: ¼ MP (544 x 512)
Video Stream 3 Codec	MJPEG at ¼ MP
Video Stream 3 Compression Level	Multi-levels of compression and frame rate adjustment
Video Stream 3 Pixel Resolution	Fisheyes at: ¼ MP (544 x 512)
* VCam Stream 4, 5, 6, 7 Codec	H.264
* VCam Stream 4, 5, 6, 7 Compression Level	Multi-levels of compression and frame rate adjustment
* VCam Stream 4, 5, 6, 7 Pixel Resolution	4x independent onboard dewarped VCams at 1 MP (1280 x 720), ¼ MP (640 x 480)
Maximum Frame Rate	30 fps
Image Control	Settings: brightness / contrast / saturation / exposure compensation, compression quality and wall / ceiling / table mount
Image Enhancement	Electronic WDR 60dB
PTZ Functionality	10x zoom with Oncam 3D client-side dewarping software
VMS / NVR Support	Contact Oncam Sales for the supported VMS / NVR list
Web Browser Compatibility	Internet Explorer 9, Edge 25, Firefox 23 and Chrome 29 or above. Plug-in required for full functionality
Unicast	Up to 20 simultaneous users depending on the resolution settings
Multicast	Supported for H.264 main camera stream
Bit Rate Control	Constant Bit Rate Control and Constant Quality Control

* Video Stream 2 and VCams cannot be used simultaneously.

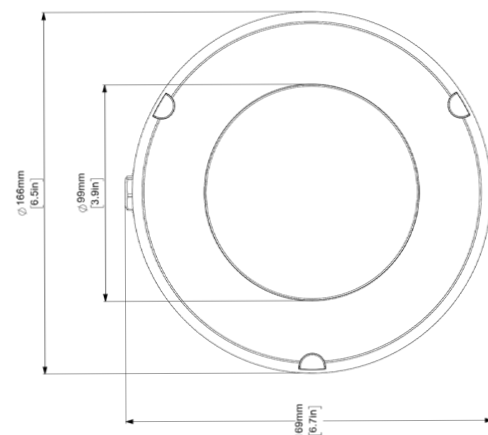
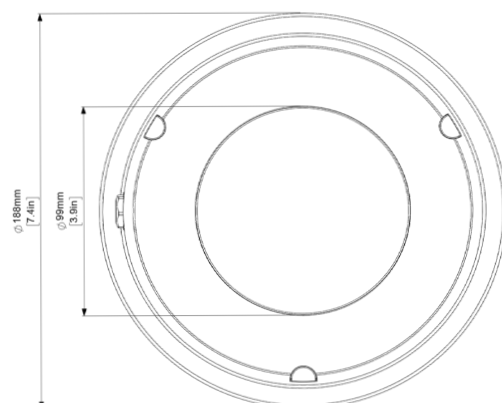
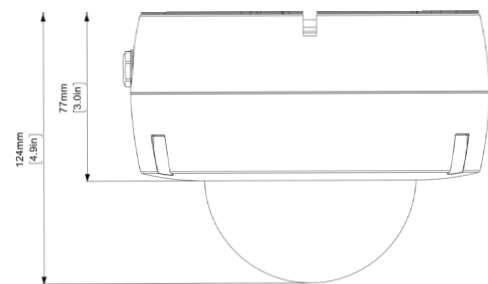
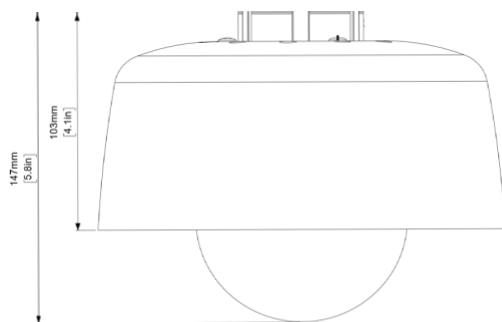
Evolution 12

360° Stainless Steel Cameras



The next step in 360° total situational awareness

Model		EVO-12-SS2
Electrical		
Ports	RJ45 for 1000BASE-TX 2.1mm DC Input jack 6-pin 1.5mm Phoenix for external I/O BNC for test video output	
Network Cable Type	CAT5E or better for 1000BASE-TX	
Power Input	12 VDC, 1.0 A (min) LPS or NEC Class 2 power supply or Power over Ethernet (PoE), IEEE standard 802.3af	
Power Consumption (maximum)	8.4 W (PoE 48 VDC) / 7.32 W (DC 12 VDC)	
Mechanical		
Camera Mount	Surface or Pendant mount	
Weight	Surface	5.11kg (11.27lbs)
	Pendant	5.9kg (13.00 lbs)
Dimensions (D x W x H)	Surface	124 x 166 x 169 mm (4.9x 6.5 x 6.7 in.)
	Pendant	147 x 188 x 188 mm (5.8 x 7.4 x 7.4 in.)
Housing Material	Electropolished marine grade 316 stainless steel with polymer bubble	
Environmental		
Operating Temperature Range	-40 to +55°C (-40 to +131°F)	
Ingress Protection	IP66, IP67, IP68 (2m, 30mins), IP69K, NEMA Type 4X & 6P	
Impact Resistance	IK10+	
Food Safety and Hygiene	NSF/ANSI Standard 169, HCV EU	
Certifications		
IEEE802.3af, CE, AS/NZS CISPR 32:2015/COR1:2016, CISPR 24:2010+A1:2015 (Class A), FCC ICES-003 Issue 6-2016 ANSI C63.4-2014, UL 60950-1, IEC 60950-1(ed.2), CAN/CSA C22.2 No. 60950-1-07, 60950-22-07, RoHS, REACH, IP66, IP68, IP69K, IK10+, NSF/ANSI Standard 169, HCV EU, NEMA Type 4X & 6P		



Evolution 12

360° Stainless Steel Cameras



The next step in 360° total situational awareness

Accessories		
Surface Mounting		
Surface Mounting Option		
Stainless Steel Conduit Adaptor	OBE-20-SCA Weight 0.240kg (0.53 lb)	
Pendant Mounting		
Stainless Steel Pendant Mount Adaptor	OBE-20-SPM Weight 0.225kg (0.495 lb)	  Mini Spanner (Included)
Pendant Mounting Options		
Stainless Steel Environmental Shield	OBE-20-SES Weight 0.570kg (1.26 lb)	  Hook Spanner (Included)
Stainless Steel Pendant Arm	OBE-20-SPA Weight 2.065kg (4.55 lb)	
Stainless Steel Pendant Arm Corner Mount	OBE-20-SPC * Weight 1.655kg (3.65 lb)	
* Stainless Steel Pendant Arm (OBE-20-SPA) Required		
Stainless Steel Pendant Arm Pole Mount	OBE-20-SPP * Weight 0.890kg (1.96 lb)	
* Stainless Steel Pendant Arm (OBE-20-SPA) Required		
Stainless Steel Pipe Thread Adaptor	OBE-20-PTA Weight 0.360kg (0.79 lb)	

Evolution 12

360° Stainless Steel Cameras



The next step in 360° total situational awareness

Camera Configurations		
Surface Mounting		
Stainless Steel Camera - EVO-12-SS2		
Surface Mounting (Conduit)		
Stainless Steel Conduit Adaptor - OBE-20-SCA		
Pendant Mount (Wall)		
Stainless Steel Pendant Mount Adapter - OBE-20-SPM		
Stainless Steel Pendant arm - OBE-20-SPA		
Pendant Mount With Sunshield (Wall)		
Stainless Steel Pendant Mount Adapter - OBE-20-SPM		
Stainless Steel Pendant arm - OBE-20-SPA		
Stainless Steel Environmental Shield - OBE-20-SES		
Pendant Mount (Pole)		
Stainless Steel Pendant Mount Adapter - OBE-20-SPM		
Stainless Steel Pendant arm - OBE-20-SPA		
Stainless Steel Pendant Arm Pole Mount - OBE-20-SPP		

Evolution 12

360° Stainless Steel Cameras



The next step in 360° total situational awareness

Pendant Mount With Sunshield (Pole)

Stainless Steel Pendant Mount Adapter - OBE-20-SPM		
Stainless Steel Pendant arm - OBE-20-SPA		
Stainless Steel Environmental Shield - OBE-20-SES		
Stainless Steel Pendant Arm Pole Mount - OBE-20-SPP		

Pendant Mount (Corner)

Stainless Steel Pendant Mount Adapter - OBE-20-SPM		
Stainless Steel Pendant arm - OBE-20-SPA		
Stainless Steel Pendant Arm Corner Mount - OBE-20-SPC		

Pendant Mount With Sunshield (Corner)

Stainless Steel Pendant Mount Adapter - OBE-20-SPM		
Stainless Steel Pendant arm - OBE-20-SPA		
Stainless Steel Environmental Shield - OBE-20-SES		
Stainless Steel Pendant Arm Corner Mount - OBE-20-SPC		

© Copyright 2020 ONVU Technologies AG. All rights reserved.
 Oncam is a trading name of ONVU Technologies AG. Subject to change without notice.

EVO-XX-Sxx-26_2020.03