

# Evolution 05 Mini

## 360° Outdoor Camera

The next step in 360° total situational awareness

### 5 MP sensor and no moving parts

- Constant 360° surveillance with no blind spots
- No moving parts, no maintenance and silent operation
- Up to 30 fps video stream at 1 MP and ¼ MP
- 0.2 lux minimum illumination and electronic WDR
- PoE powered
- 5-year warranty

### Advanced features

- microSD card slot for local event recording
- Configurable privacy regions
- Polygonal Video Motion Detection regions

### Miniature in size and outdoor ready

- Simple and easy installation
- IP66 rated enclosure for weather protection
- IK10+ rating for vandalism protection
- EN50155 / EN45545 transport certification
- Options available include RJ45 or M12 connections
- Range of accessories provide multiple mounting possibilities including ceiling, wall, pendant and pole
- Enclosure available in White

### Extensive VMS/NVR platform integration with Oncam SDK

- Market leading Oncam 3D dewarping software
- Full Live and retrospective dewarping available
- Camera features are accessible through VMS platforms
- Simultaneous multiple video streams
- 10x digital zoom capability through client-side dewarping
- H.264 / MJPEG streaming with multiple quality levels
- Optimizes bandwidth and storage utilization
- Intuitive web-based interface for viewing and configuration
- Supported by major VMS / NVR systems
- ONVIF profile S and G conformant



RJ45



EVO-05-LMD - White

M12



EVO-05-LMM - White

# Evolution 05 Mini



## 360° Outdoor Camera

The next step in 360° total situational awareness

Model	EVO-05-LMD (White)	EVO-05-LMM (White)
Connector	RJ45	M12
<b>General</b>		
Lens Field of View	180° Horizontal, 168° Vertical	
Image Sensor	2592 H x 1944 V, 5 MP, 1/2.5-inch CMOS Sensor	
Lens	185° / F2.0	
Minimum Illumination	0.2 lux = 50 IRE F/2.0 (6500 K)	
Frame Rate	30 fps for 1 MP and ¼ MP resolution 15 fps for 2 MP resolution 10 fps for 4 MP full resolution	
Video Motion Detection	8 configurable regions	
Security	Configurable password protection and 802.1x	
Advanced Event Management	Triggered by motion, HTTP event, result configurable, FTP/SNTP upload and local recording	
Networking	TCP/IP, HTTP, DHCP, DNS, NTP, FTP, SMTP, RTSP, uPNP and SNMP	
Privacy Regions	10 configurable privacy regions	
microSD Card	Built-in microSD card slot. Supports cards up to 128 GB capacity. Speed class 10 or higher required SD Card recording and ONVIF G.	
White Balance Range	Auto White Balance (Range = approximately 2500 K~8000 K)	
<b>Video</b>		
Video Stream 1 Codec	H.264 High, Level 5 / MJPEG (streams configurable)	
Video Stream 1 Compression Level	Multi-levels of compression and frame rate adjustment	
Video Stream 1 Pixel Resolution	Fisheyes at: 4 MP (2144 x 1944), 2 MP (1488 x 1360), 1 MP (1056 x 960), ¼ MP (528 x 480)	
Video Stream 2 Codec	H.264 High, Level 5 / MJPEG (streams configurable)	
Video Stream 2 Compression Level	Multi-levels of compression and frame rate adjustment	
Video Stream 2 Pixel Resolution	Fisheyes at: 4 MP (2144 x 1944), 2 MP (1488 x 1360), 1 MP (1056 x 960), ¼ MP (528 x 480)	
Video Stream 3 Codec	MJPEG	
Video Stream 3 Compression Level	Multi-levels of compression and frame rate adjustment	
Video Stream 3 Pixel Resolution	Fisheye at: ¼ MP (528 x 480)	
Maximum Frame Rate	30 fps	
Image Control	Settings: brightness / contrast / saturation / exposure compensation, compression quality and wall / ceiling / table mount	
Image Enhancement	Electronic WDR 60dB	
PTZ Functionality	10x zoom with Oncam 3D client-side dewarping software	
VMS / NVR Support	Contact Oncam Sales for the supported VMS / NVR list	
Web Browser Compatibility	Internet Explorer 9, Edge 25, Firefox 23 and Chrome 29 or above. Plug-in required for full functionality	
Unicast	Up to 20 simultaneous users depending on the resolution settings	
Multicast	Supported for all H.264 camera streams	
Bit Rate Control	Options include Variable Bit Rate Controls, Constant Bit Rate Control and Constant Quality Control	
<b>Electrical</b>		
Connection	Flying lead - RJ45 plug	Flying lead - M12 socket
Network Cable Type	CAT5 or better for 100Base-TX	
Power Input	Power over Ethernet (PoE), IEEE standard 802.3af	
Power Consumption (maximum)	4.13 W	

# Evolution 05 Mini



## 360° Outdoor Camera

The next step in 360° total situational awareness

Mechanical	
Camera Mount	Surface mount
Weight	0.32 kg (0.70 lbs)
Dimensions (Diameter x Depth)	119 x 67 mm (4.7 x 2.6 in.)
Housing Material	Aluminum with polymer bubble

Environmental	
Operating Temperature Range	-40 to +55° C (-40 to +131° F)
Operating Humidity	Up to 98% non-condensing
Ingress Protection	IP66
Impact Resistance	IK10+

Certifications	
Approvals	IEEE802.3af, CE, AS/NZS CISPR 32:2015/COR1:2016, CISPR 24:2010 +A1:2015 (Class A), FCC, ICES-003 Issue 6-2016, KCC, CU, RCM, SASO, IP66, IK10+, UL 60950-1(ed.2) & CAN/CSA C22.2 No. 60950-1-07, UL/IEC 62368-1, RoHS, REACH

Accessories		
	Part Number	Description
	OBE-16-OWA (White)	M20 conduit back box  Fitted for the camera back and provides three entry points for easy cabling through M20 size conduits. Coil excess cable within back box.
	EVO-05-LWK (White)	Outdoor Pendant Camera Kit  The Outdoor Pendant Camera Kit is available in white and has a 1.5-inch NPS Male or M32 Female thread for connection to compatible brackets.  The kit contains the following items: <ul style="list-style-type: none"><li>• EVO-05 Mini Outdoor Camera (RJ45 option)</li><li>• Pre-assembled Pendant Mount Assembly (Sunshield, Back Box and thread adapter)</li></ul>

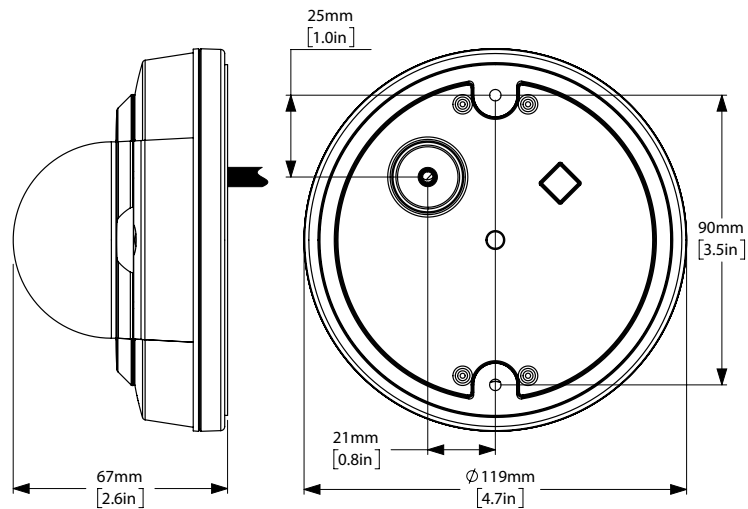
# Evolution 05 Mini



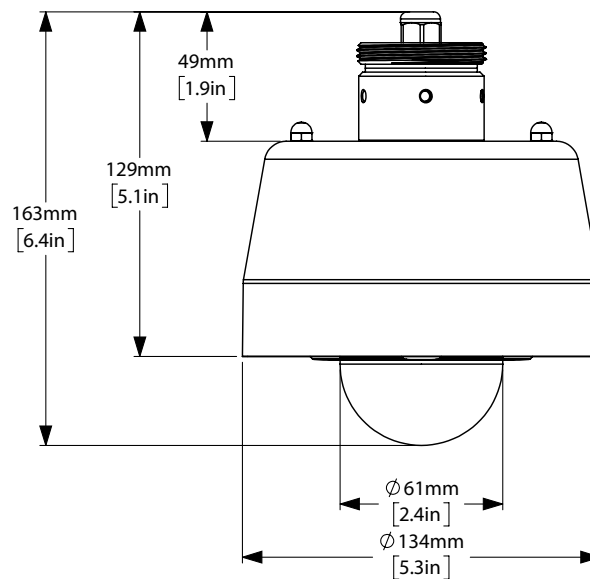
## 360° Outdoor Camera

The next step in 360° total situational awareness

### Dimensions



Outdoor Mini Camera



Outdoor Mini Pendant Mount Kit

©Copyright 2015 - 2020 Oncam Global Group AG. All rights reserved.

Oncam is the trade name of Oncam Global Group AG. Specifications and configurations subject to change without notice.

EVO-05-L#D-03\_2020.11