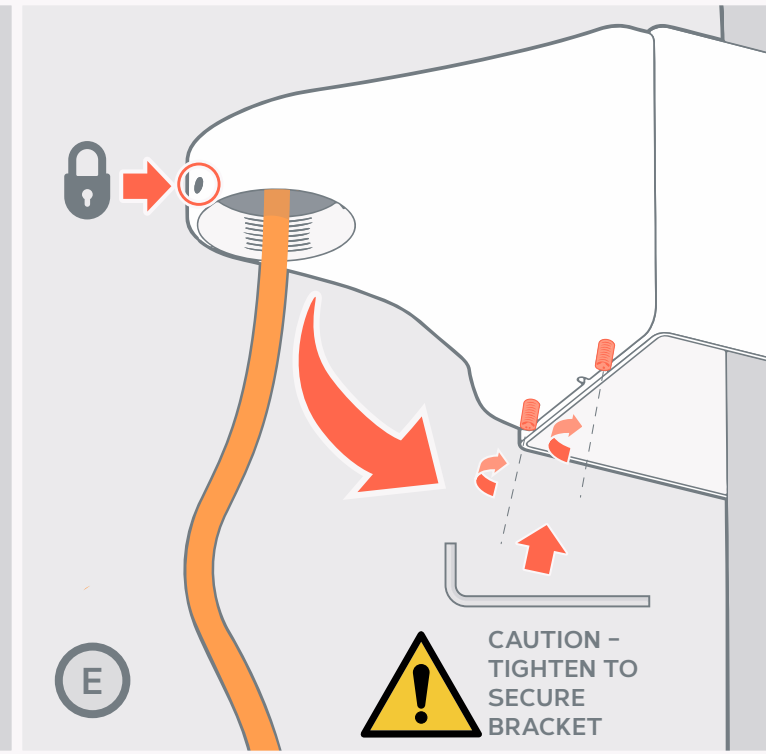
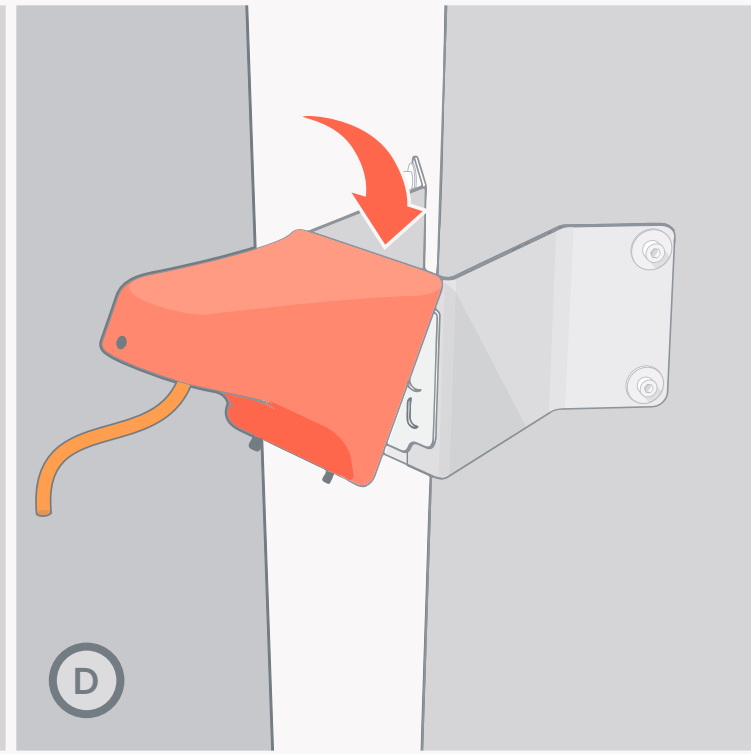
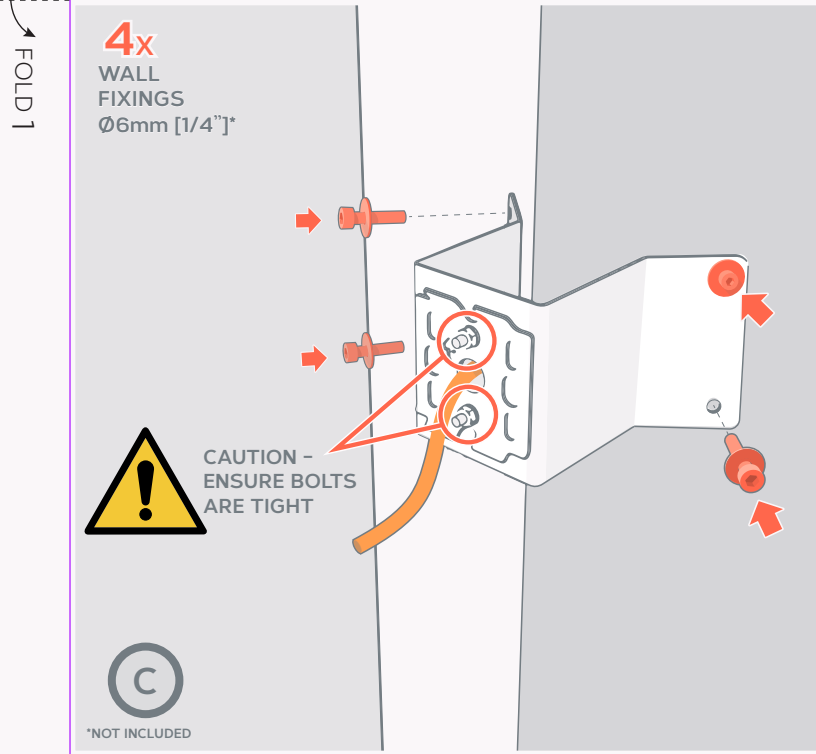
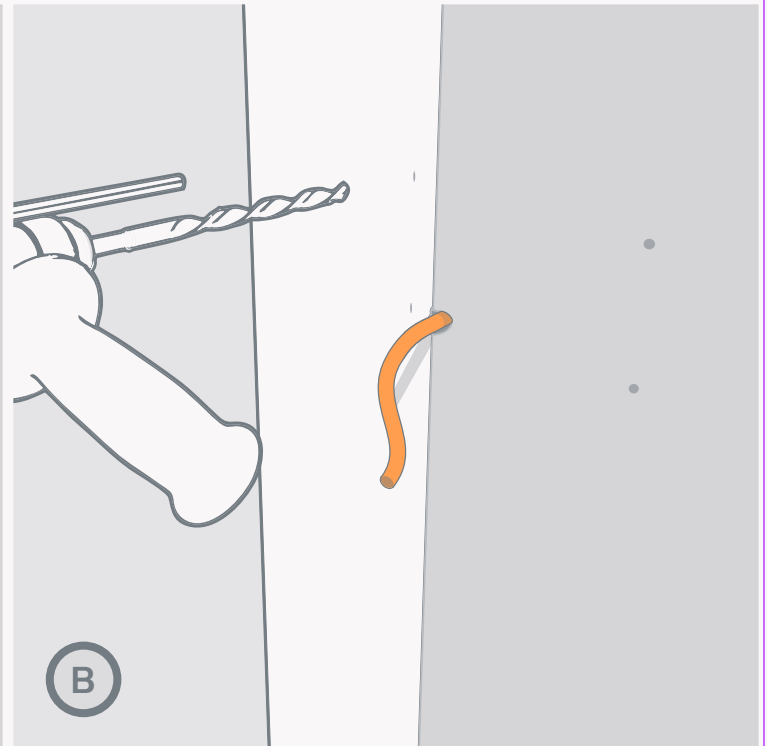
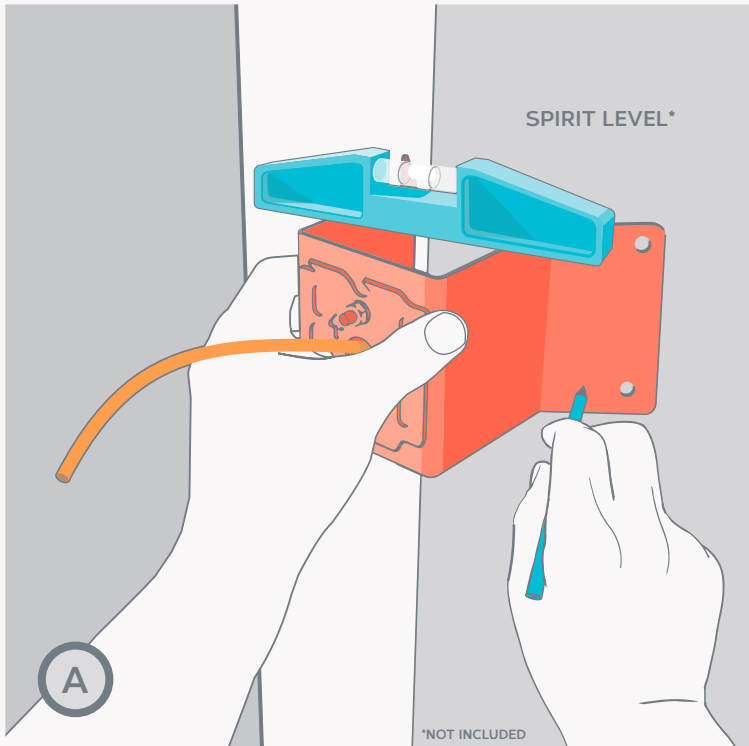
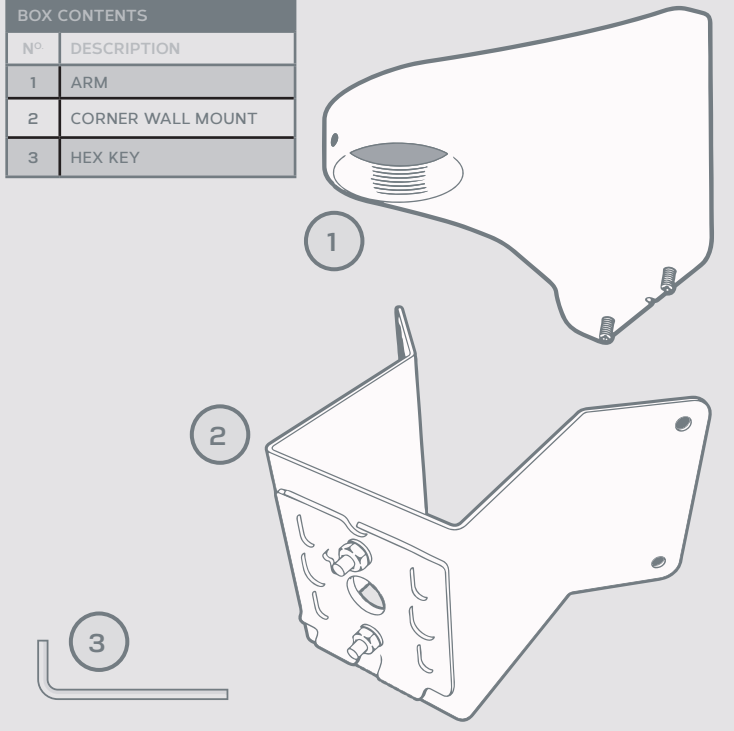


QUICK START GUIDE

ONCAM C-SERIES OUTDOOR CORNER WALL MOUNT BRACKET ACCESSORY



BOX CONTENTS	
N°	DESCRIPTION
1	ARM
2	CORNER WALL MOUNT
3	HEX KEY



FOR MORE INFORMATION AND FIRST TIME SET UP GO TO:
<https://bit.ly/3rrngJD>

© COPYRIGHT 2021 ONVU TECHNOLOGIES AG. ALL RIGHTS RESERVED. ONCAM IS A TRADING NAME OF ONVU TECHNOLOGIES AG. SUBJECT TO CHANGE WITHOUT NOTICE.

REVISION 1.0

006-0126-0595