



C-12 OUTDOOR PLUS 12MP

 360° Fisheye Panoramic

C12-OPC1-O



HIGH SPEED FRAME RATES

Capture every movement in sharp detail with market leading **55 fps at full 9MP** resolution or **maintain** your chosen frame rate up to **30 fps** on primary stream with 3 other streams running. Alternatively, experience best in class performance of **25 fps with TrueDetail HDR**.



ADVANCED LIGHT MANAGEMENT TECHNOLOGY

Dynamically manage the available light to optimize image quality to **produce clearer, full-color, lower noise videos**. Maintain the sharpness of moving or static objects even in challenging low and mixed light conditions.



STREAMLITE COMPRESSION TECHNOLOGY

Lower video bandwidth and storage by an **average of 50% or more** on both H.264 and H.265, and over 90% when there is no motion and Dynamic FPS is enabled. Integrated VMS / NVR partners have access to **StreamLite+**, and can achieve an additional **20%** thanks to **ColorMap Compression⁵**.



MULTI-MODE

Simultaneously stream up to four different views from a choice of five (inc. dewarped views)⁶



TRUEDETAIL HDR TECHNOLOGY

Reveal the **hidden details** in both dark and bright areas of the same scene. Correctly expose every detail with dual concurrent exposures.

PLUS BOARD FEATURES

- 8-28 VDC support
- Alarm I/O support x2 in x1 out
- LED Lamp support x2
- Audio support

COMPACT SURVEILLANCE

- Powerful, compact camera with a diameter of only 92mm, built upon Oncam's expertise in 360-degree IP video technology
- Crisp images in tough external conditions
- IP66, IP67, IP68, IP69K and IK10 rated, offering protection in harsh environments and against vandalism
- Edge dewarping for additional streaming flexibility (Fisheye only, Panoramic+ only or Multi-Mode⁶)
- Range of mounting options and accessories for added versatility,
- Optional Heater Module for cold starting in temperatures as low as -40°C / -40°F
- Market leading 3D dewarping software supported by major VMS / NVR partners
- 5-year warranty

Technical Specifications

General

Field of view	180° Horizontal, 180° Vertical
Image sensor	12.4MP (approx.) CMOS sensor
Lens	180°, 1.6mm, F 2.0, all-glass, fixed focus, fixed Iris, fisheye
Day/Night IR cut filter	Automatic, manual
Minimum illumination	Color: 0.1 lux at 50 IRE F/2.0 Mono: 0.1 lux at 50 IRE F/2.0
Video motion detection	16 configurable polygonal regions
Analytics	Motion Region Detector, Tampering, Loitering Object Detector, Line Crossing./Counting, Region Object Detector, Object Tracking Only, Region Object Occupancy
External alarm	2x contact input, 1x contact output
External LED control	2x contact output
Audio input	Audio IN through screw terminal connections, G.711/AAC codec
Advanced event management	Configurable Triggers: Motion regions, Network message, Link down Configurable Actions: SMTP (snapshot), Local recording
Networking	IPv4, TCP/IP, UDP, HTTP, DHCP, DNS, NTP, SMTP, RTP, RTSP, RTCP, WEB RTC, HTTPS, WS-Discovery, TLS, ARP and SNMP v2c or V3
Privacy	5 configurable privacy regions/masks
SD card	Built in MicroSD card slot, up to 512GB (FAT32), minimum class 10 with AES256 File based encryption
White balance range	Auto White Balance (Range = approx. 2,500 K ~ 8,000 K)
Security	Password protection WS-Username token RTSP authentication HTTP Digest authentication Authorization levels Brute force protection IP address filtering User access log Encrypted TLS 1.2 HTTPS encryption IEEE 802.1x Authentication, EAP-MD5, EAP-TLS, EAP-PEAP

Video

Frame rate	max 55 fps at full resolution ¹ or 25 fps with TrueDetail HDR
Video compression	H.264, H.265, MJPEG and VP8 (WEB RTC)
Smart compression	StreamLite H.264 and H.265 StreamLite+ H.264 and H.265 (with ColorMap compression ⁵)

Fisheye stream 1 (Primary - 360° Fisheye Stream H.264/H.265)	55 fps ¹ : 2992 x 2992 (9.0 MP, max resolution) 30 fps when multi-streaming ²
---	--

	Up to 60 fps ¹ : 2800 x 2800 (7.8 MP) 2304 x 2304 (5.3 MP) 1920 x 1920 (3.7 MP) 1440 x 1440 (2.1 MP) 992 x 992 (0.98 MP) 512 x 512 (0.26 MP) ³
--	--

Fisheye stream 2⁴ (Secondary - 360° Fisheye Stream H.264/H.265)	Up to 15 fps: 2992 x 2992 (9.0 MP, max resolution) 2800 x 2800 (7.8 MP) 2304 x 2304 (5.3 MP) 1920 x 1920 (3.7 MP) 1440 x 1440 (2.1 MP) 992 x 992 (0.98 MP) 512 x 512 (0.26 MP) ³
---	--

Fisheye stream 3 (Tertiary - 360° Fisheye Stream H.264/H.265)	Up to 30 fps: 1920 x 1920 (3.7 MP, max resolution) 1440 x 1440 (2.1 MP) 992 x 992 (0.98 MP) 512 x 512 (0.26 MP) ³
--	--

Fisheye stream 4 (Low resolution - 360° Fisheye Stream H.264/H.265/MJPEG)	Up to 10 fps: 512 x 512 (0.26 MP max resolution) ³
--	--

Camera modes⁶	Fisheye only, Panoramic+ only, Multi-Mode
---------------------------------	---

Multi-stream capacity	4 multiple streams can run concurrently. Primary stream maintains a frame rate of 30 fps ²
------------------------------	---

Dewarped views⁶	Panoramic+ (180° view): 3040 x 1216 to 800 x 320 Corridor+ (ceiling split corridor view): 2432 x 1520 to 640 x 400 T Corridor+ (three-way split corridor view): 3456 x 1440 to 768 x 320 VCam (up to 4): 1280 x 720 to 576 x 432
-----------------------------------	---

Image settings	Brightness, contrast, saturation, sharpness, exposure compensation, exposure priority, imaging preference, text overlay, 180° rotate, multiple color spaces
-----------------------	---

Image enhancement	TrueDetail HDR up to 25 fps. TrueDetail HDR maximum dynamic range 120dB
--------------------------	--

PTZ functionality	10x zoom with Oncam 3D client-side dewarping software
--------------------------	---

VMS/NVR support	ONVIF Profile G, M, S, T conformant. Contact Oncam for the up-to-date VMS compatibility list
------------------------	--

Web browser compatibility	Supported minimum browsers versions: Chrome 95, Firefox 94, Edge 95 and Safari 14.1.1
----------------------------------	---

¹ High Speed Mode⁶, single stream only, set to 60 fps, exposure priority set to frame rate, 60Hz. Max achievable fps is dependant on VMS support

² Maintain 30 fps +/-5%, 60 Hz, 30 fps in TrueDetail HDR Mode

³ MJPEG at 10 fps, >5,000 kbps supported

⁴ Resolution and video source view shared with Primary Stream in TrueDetail HDR Mode

Unicast	Up to 20 simultaneous users depending on the resolution settings
Multicast	Supported for all streams (Video and Metadata ⁶)
Bit rate control	Fixed Quality (Capped Bitrate) or Constant Bit Rate

Electrical

Ports	RJ45 for 100/1000BASE-Tx
Power input	Power over Ethernet (PoE), IEEE standard 802.3af. Screw Terminals, 8-28 VDC, 15W LPS, NEC Class 2 power supply.
Power consumption (maximum)	> 12.95W (IEEE 802.3af, PoE 48VDC) > 12.95W (DC 8-28VDC)

Mechanical

Camera mount	Surface, Pendant and Panoramic+ Tilt
Weight	1.00 kg (2.20 lbs)
Dimensions (D x W x H)	150 x 150 x 88 mm (5.9 x 5.9 x 3.4 in)

Environmental

Operating temperature range	-40° C to +55° C (-40 to +131° F)
Cold start temperature range	-20° C to +55° C (-4 to +131° F)
Cold start temperature range with optional heater (CA-GHM1-O)	-40° C to +55° C (-40 to +131° F)
Operating Humidity	up to 95% Relative Humidity non-condensing
Ingress protection	IP66, IP67, IP68 and IP69K
Impact resistance	IK10

Certifications

IEEE802.3af

AS/NZS CISPR 32: 2015 AMD 1: 2020

CE	UKCA
EN 55032:2015/A1:2020, Class B	BS EN 55032:2015 +A1:2020, Class B
EN 55035:2017/A11:2020	BS EN 55035:2017 +A11:2020
EN50130-4:2011/A1:2014	BS EN50130-4:2011 +A1:2014

EN IEC 61000-6-3:2021

EN 45545-2: 2020

UL60950-part 22

FCC CFR Title 47 Part 15 Subpart B: 2020 Class B

ICES-003 Issue 7:2020, Class B
ANSI C63.4-2014, ANSI C63.4a-2017,
CAN/CSA-CISPR 32:17

UL/cUL 62368-1, EN 62368-1:2014/A11:2017

RoHS

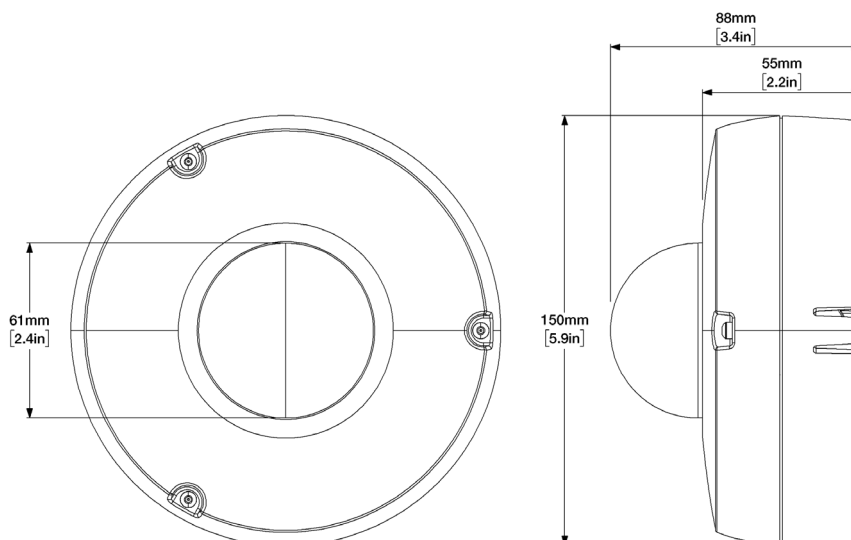
REACH

IP66, IP67, IP68, IP69K and IK10

BIS IS13252(Part1)/ IEC 60950-1

NEMA Type 4 & 6

Dimensions



⁵ Dependent on VMS support

⁶ Firmware version 2.0.x and above required

⁷ For EN 50121-4 compliance, the camera is required to be connected using a shielded network cable (STP) that is properly grounded to the enclosure. For further info please contact the Onecam support team. <https://support.oncamgrandeye.com/>

Optional Accessories

Outdoor Pendant Kit

SKU Number CA-OPK1-O

Pendant Mount Adaptor



Thread	1½" NPT
	Male
Construction	ADC12 Aluminum
Form factor	Low profile
Installation	Pendant mount
Weight	0.20 kg (0.44 lb)
Dimensions	Ø145 mm (5.7 in)

Sunshield



Construction	ADC12 Aluminum
Installation	Pendant mount
Weight	0.26 kg (0.57 lb)
Dimensions	Ø170 mm (6.7 in)

Assembled

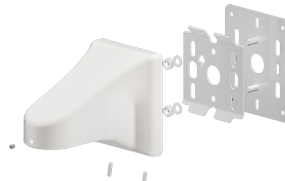


Pole Mount Bracket



SKU Number	CA-OPB1-O
Thread	1½" NPT
	Female
Construction	Aluminum
Weight	0.61 kg (1.34 lbs)
Dimensions (D x W x H)	265 x 130 x 114 mm (10.4 x 5.1 x 4.5 in)

Wall Mount Bracket



SKU Number	CA-OWB1-O
Thread	1½" NPT
	Female
Construction	Aluminum
Weight	0.41 kg (0.9 lb)
Dimensions (D x W x H)	150 x 94 x 114 mm (5.9 x 3.7 x 4.5 in)

Panoramic+ Tilt Adaptor⁶



SKU Number	CA-OTA1-O
Angle	0° to 90°
	1½" NPT
Thread	Male to mounting bracket, Female to pendant mount
Construction	Aluminum
Weight	0.28 kg (0.61 lbs)
Dimensions (D x W x H)	57 x 70 x 116 mm (2.2 x 2.8 x 4.6 in)

Panoramic+ Rain Guard⁶



SKU Number	CA-ORG1-O
Mounting	Surface or Pendant
Construction	Polymer
Weight	0.06 kg (0.13 lb)
Dimensions (D x W x H)	114 x 170 x 180 mm (4.5 x 6.7 x 7.1 in)

Panoramic+ Pendant Mount Adaptor⁶



SKU Number	CA-OPMI-O
Thread	1½" NPT
	Male
Construction	ADC12 Aluminum
Form factor	Low profile
Installation	Pendant mount
Weight	0.20 kg (0.44 lb)
Dimensions	Ø145 mm (5.7 in)

© Copyright 2023 ONVU Technologies AG. All rights reserved. Oncam is a trading name of ONVU Technologies AG. Specifications and configurations subject to change without notice. "ONCAM" and the "ONCAM logo" are trademarks, and in some cases registered or protected trademarks, of Oncam Global Limited and/or Oncam Global, Inc., including under registration in the UK, India and in the U.S. Patent and Trademark Office. All other trademarks are the property of their respective owners.